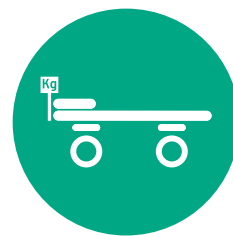


Francis Scale AV

Multifunctional couch
with integrated weighing system



COUCH WITH
INTEGRATED SCALE

Frequent use

Outpatient clinic
Diagnostic Ultrasound
Endoscopic
examinations
Physiotherapy
Medical Centre
Emergency Room



**TECHNOLOGY &
FUNCTIONALITY**

multifunction device
for specialist activities



www.gardhenbalance.it



VERSATILITY & SAFETY

The **multifunctional scale examination couch** is extremely versatile and can be used for a variety of specialist examinations. Due to its sturdiness, it allows the patient's position to be adjusted for comfort during the examination or other medical procedures.

GB TOUCH

Multifunctional control touch screen display.

2 SECTIONS

Two sections with reinforced frame for comfort of the patient.

WHEELS

Of high capacity that allow the device to be transported easily.

BRAKE CENTRALIZED

Braking system with bilateral levers to activate the directional system.





Features of GB Touch

- Power on via Soft TouchKey
- Movement management
- Low voltage power supply
- Plastic indicator box with IP65 insulation
- Battery status indicator
- Display lighting control
- Screen saver
- Night mode
- Smart Functions
- Full control via android/ios/windows app GBSmart
- Scheduled maintenance setting
- Language setting: Italian - English - French - Spanish - German
- Digital protection against accidental or unwanted access
- Lettura peso tramite display touch screen HD 10.1"
- Patient master data
- Patient location indication
- Tare: automatic and manual always visible
- Unit indicator: unit of measure selectable between kg and lb
- Capacity 200kg
- Automatic double scale minimum division display:
50 g up to 150 kg and 100 g from 150 kg to 200 kg.
- Converter: 24bit, 10,000 divisions
- Weight loss alarms
- Patient descent alarms
- Access log
- Remote parameter control
- Automatic data transmission to enabled ports
- Porta Ethernet 10/100
- Optional: Wi-Fi/Bluetooth combo module - USB A port for weight data transmission - USB B port for external printer connection - RS-232 port - RS-485 port.



For more information on the GB Touch

Frame or click the QR code button and discover all the features and potential of the display.

Standard equipment

- Top divided into two sections with power-assisted backrest articulation.
- Adjustable backrest with gas actuator.
- Motorized variable height up to 300 mm via high-stability columns (maximum excursion of 400 mm upon request).
- Reinforced frame made of steel painted with thermosetting epoxy powder enriched with antibacterial, color customization upon request.
- Quick release of the backrest, to facilitate CPR maneuver - Equipment code AC8L.
- Upholstery made of class IIM leatherette, a material that can be sanitized with commonly used detergents and medical surgical aids, with antibacterial, antifungal, stain-resistant properties. Color customization upon request - Equipment code AC87/1.
- Padding made of high-density foam resin.
- 150 mm diameter swivel and antistatic wheel kit.
- Centralized braking system with directional system made of galvanized steel operable by 2 bilateral pedals - Equipment code AC7L2G.
- Equipotential node.
- Motorized Trendelenburg and reverse Trendelenburg via rectangular-section telescopic columns-Equipment code AC152.
- Push-button panel for handling movements.
- Touch screen display, located on the back of the backrest - Equipment code AC167.
- Integrated weighing system.

Do you want to change the color of the upholstery and frame?

Frame or click the QR codes and find out how to personalize the device by consulting our color cards*.

*If no preference is expressed, the device will be supplied with the available color.

Upholstery
Lethearette

Upholstery
Silicon

Frame



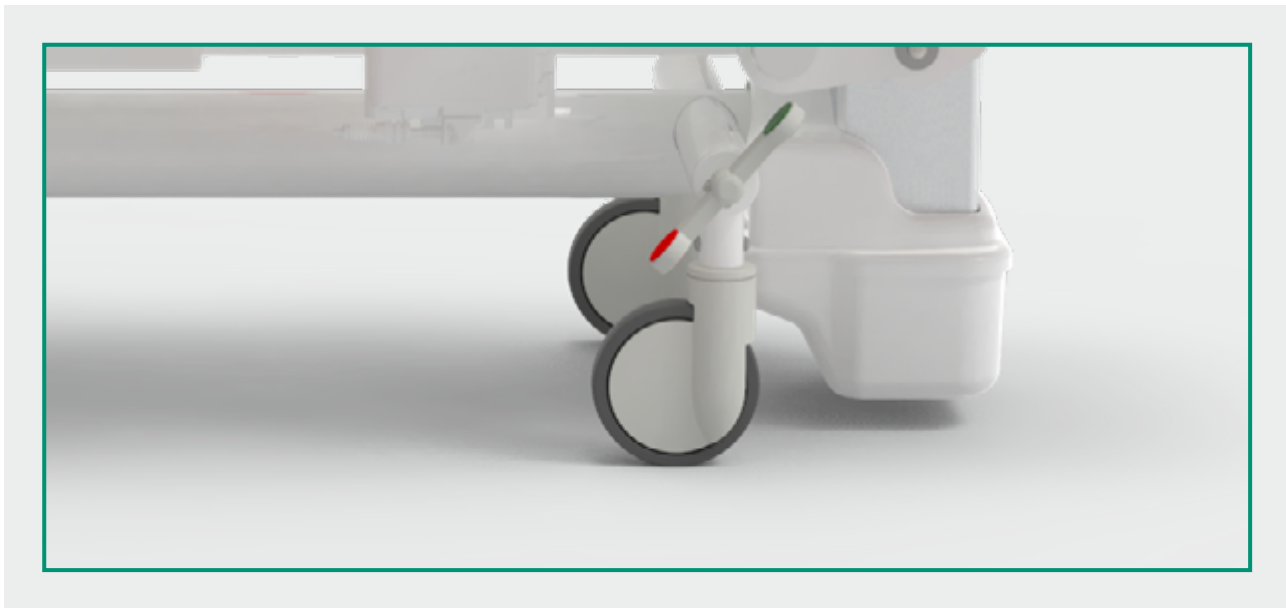
Do you want to improve the device?

Frame the QR code and discover all the available accessories consulting the catalog.



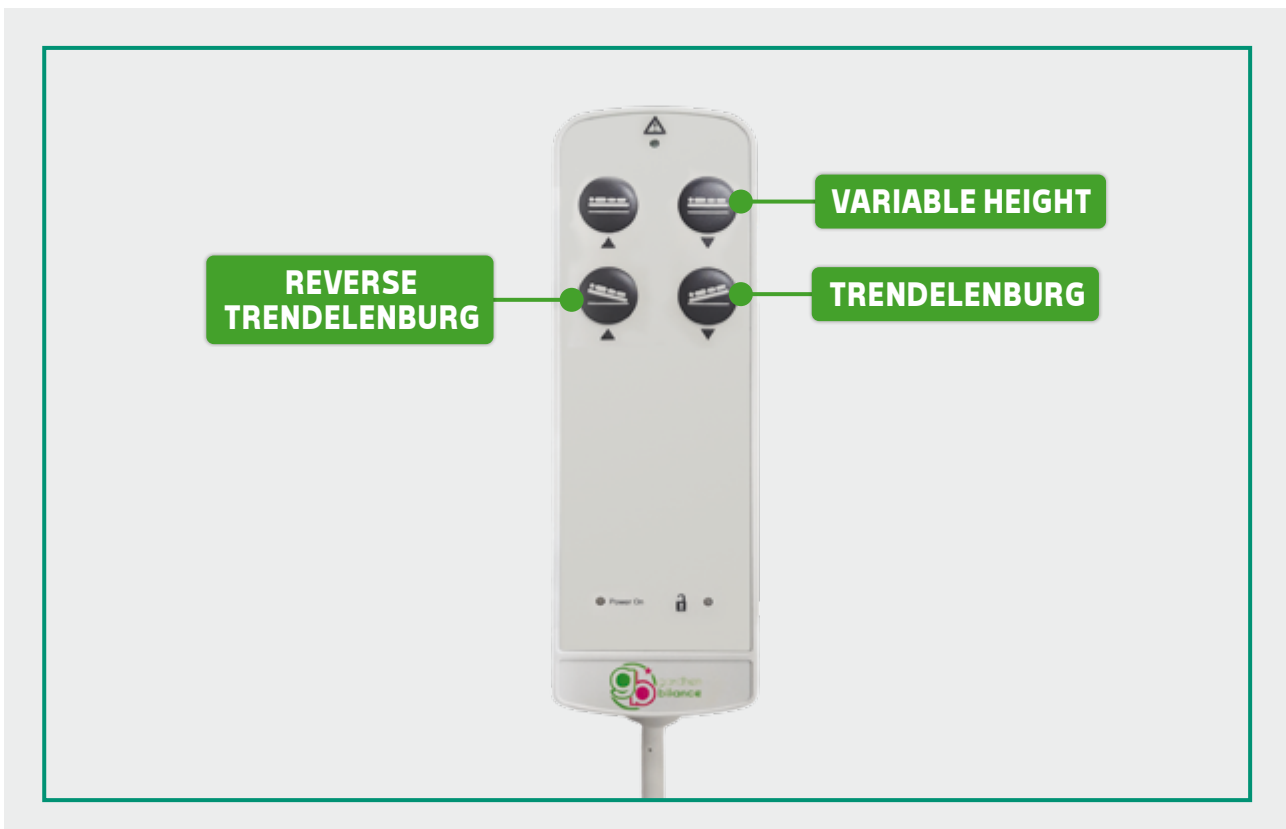
Braking system

Centralized braking system with directional mode. Operated by the special bilateral pedals easily accessible by the operator - Equipment code AC7L2/G.



4 buttons handset

All movements of the device are controlled by a perimeter push-button panel equipped with a 3.5 m coiled cable. The hand control is easy to use as it is made with large raised pictograms and is also suitable for visually impaired patients; IP66 insulation.





Movements



TRENDELENBURG



REVERSE TRENDELENBURG





Movements



VARIABLE HEIGHT

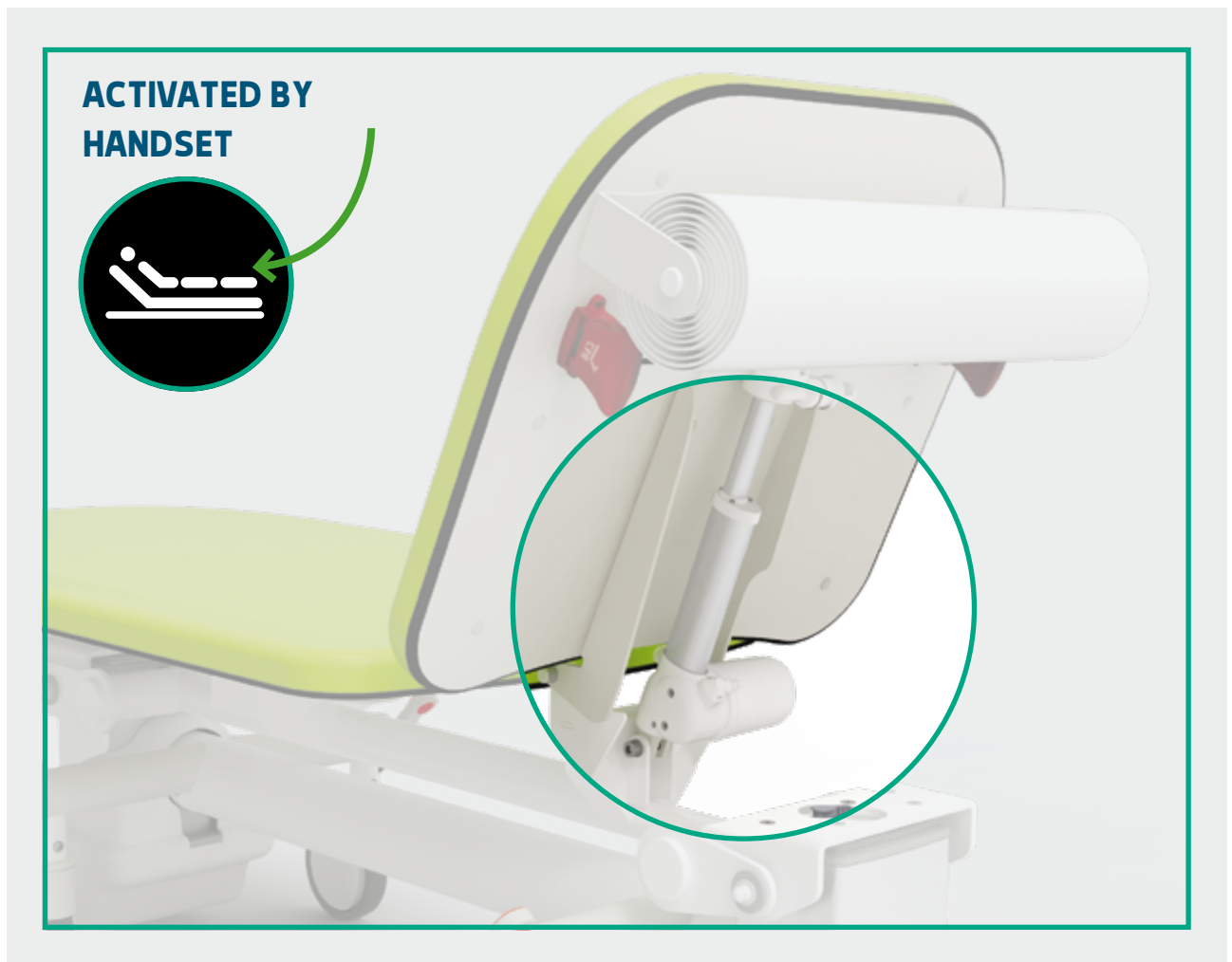


MINIMUM HEIGHT OF 560 mm ALLOWS EASY ACCOMMODATION FOR ALL PATIENTS



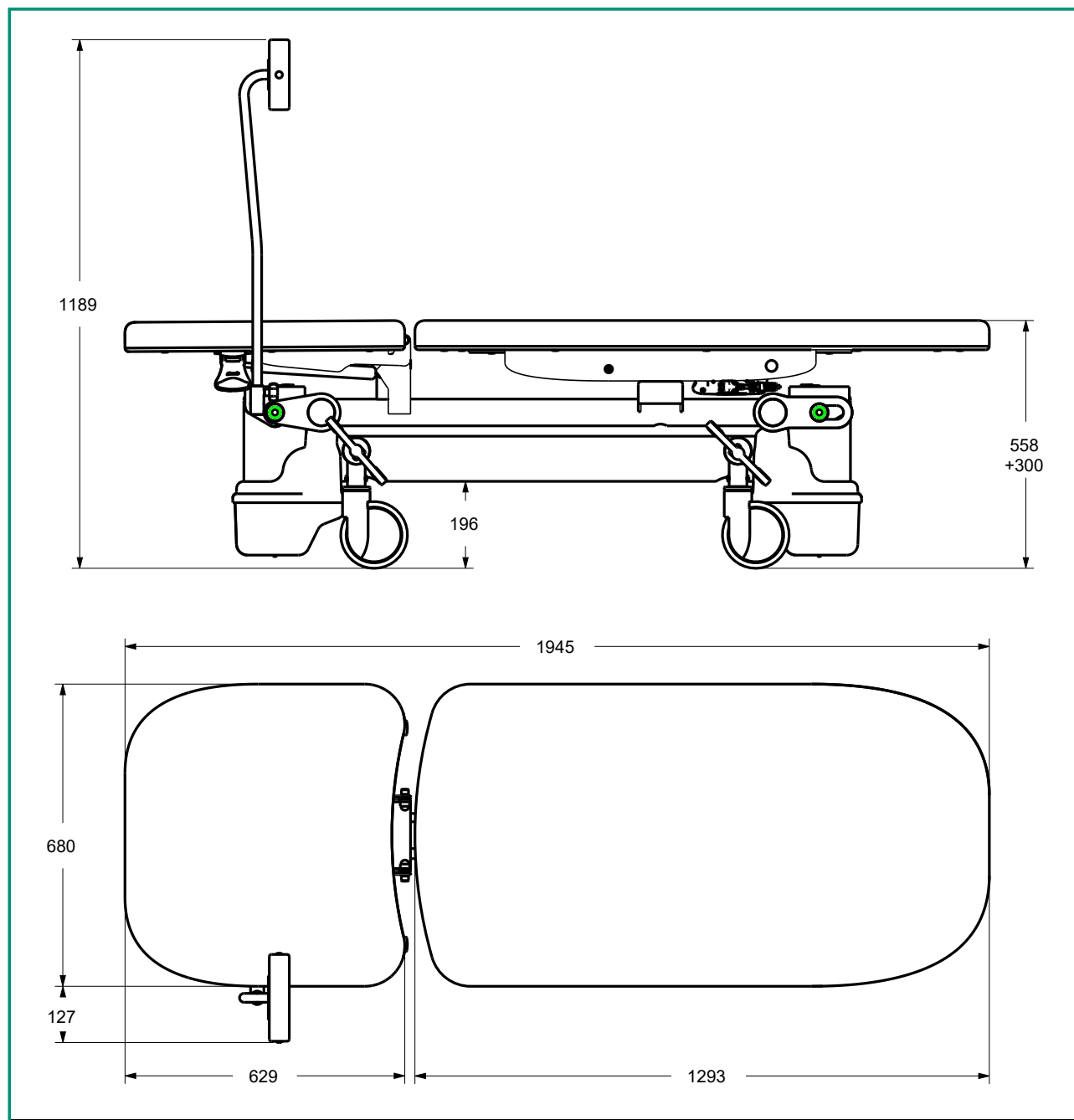
Motorized backrest that can be activated by handset

It is possible to equip the back section with a motor - Optional component code AC107, which can be activated electrically with the help of the perimeter hand control equipped with a 3.5 m coiled cable. The hand control is easy to use as it is made with large raised pictograms and is also suitable for visually impaired patients; IP66 insulation.





Dimensional



Main cord



Type F
Schuko



Type L
16A



Type I
Australia



Type B
Canada
and USA



Type G
UK plug

Technical Sheet

CND/EMDN Code	V080603
GMDN Code	34870
N. progressivo/R	2605791/R
UDI-DI di base	805771740LVPSL8
Product Code	GB0141.SP Painted steel
Intended Use	Examination couch with integrated weighing system
Manufacturer	GARDHEN BILANCE SRL
Spare parts availability	10 years
Table weight	80 kg
Wheels	150 mm diameter wheel kit complete with centralized brake and directional system operated by bilateral foot pedal
Type of control	Handset
Power	Multivoltage 100-240 Vac 50-60 Hz
Main cord	Schuko or other upon request
Electric motors	Low voltage (24 V)
Max absorption	4A
Insulation	IP44
Max load capacity	Standard 200 kg
Safe Workload	Standard 235 kg
Minimum division	With capacity up to 200 kg minimum division display of 50 g up to 150 kg and 100 g up to 200 kg.
Box display	Plastic viewer box with IP65 insulation
Display	Touch screen
Display power supply	24 Vdc
Status indicators	Bright on displays and control systems
Alarms	Excessive or insufficient weight drop alarm / Patient drop alarm / Brake not engaged alarm / Brake not engaged light alarm / Battery status indicator / Guarsti alarms / Maintenance due alarms
Data transmission	Standard serial RS232 - USB - ETHERNET
I/O (opz.)	4 outputs
Anti-black-out function	Battery + software
Tare	Automatic and manual

Gardhen Balance S.r.l

Via G. Luraghi c/o Consorzio Il Sole - lot S - 80038 Pomigliano d'Arco (NA) - Italy

Tel. +39.081.8692160 pbx - Fax +39.081.8692460

E-mail: info@gardhenbalance.it - PEC: gardhenbalance@pec.it

Visit our website www.gardhenbalance.it / Follow us on     

Images reproduced in this sheet are for reference only and dimensional values are nominal. It is the manufacturer's right to make changes to the designs without prior notice. Refer to the optional components catalog and/or commercial proposals for identification of standard equipment and selection of any additional components. In case of discrepant data, the contents of the commercial proposals shall prevail. In the event that preferences are not expressed regarding the colors of the devices ordered, the same, will be made in the colors shown in the data sheet/brochure.

For regulatory references, please refer to the user manual and declaration of conformity.

Dep. 77 rev. 17/06/2024